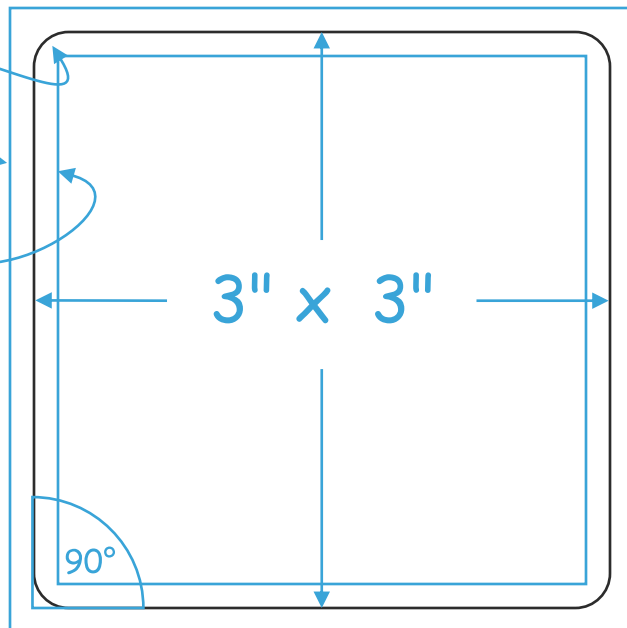


OTTO Design Template #001
Standard 3"x3" Square/Diamond Satin Cloth Pass

1/8" radius round
all four corners

1/8" bleed & margins
must be precise



Can be made into a diamond
shape by turning on its
point (at 45°).